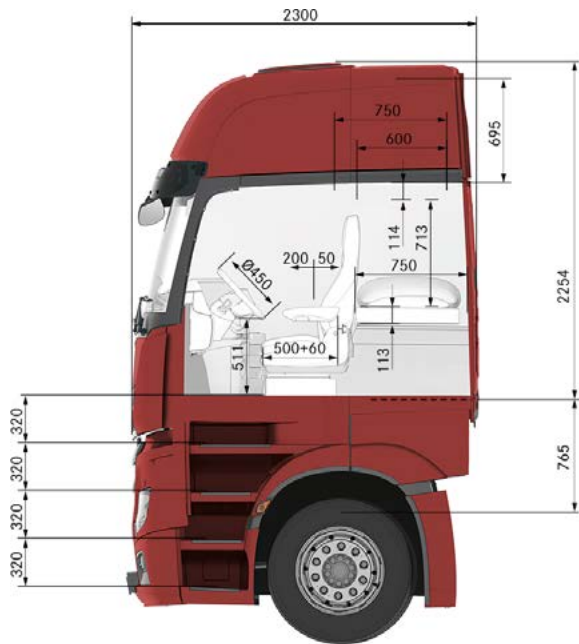




Mercedes-Benz
Trucks you can trust

GigaSpace L-cab with SoloStar concept.



Exterior width [mm]	2500
Exterior length [mm]	2300
Headroom on engine tunnel [mm]	2130
Headroom in front of seats [mm]	2050

The GigaSpace cab is designed for international long-distance haulage and offers optimum stowage capacity to meet the needs of two-driver crews. With 920 litres more cab volume, 50 litres more stowage capacity and its headroom* of 2130 mm, it not only has a more generous sense of spaciousness than in the Actros Megaspaces cab – there is also a lot of extra room for everything that has to travel on board.

A wide range of additional equipment is available for the GigaSpace cab – to add individuality and comfort to the working/living areas.

* Between the seats

